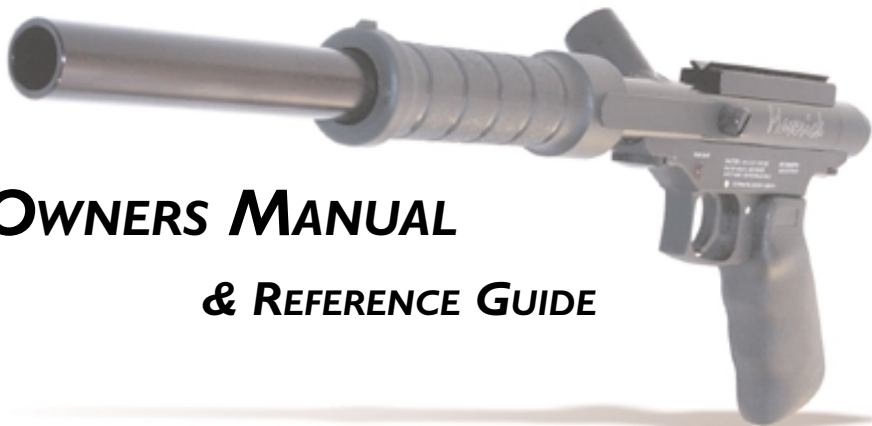


# Maverick



## OWNERS MANUAL

## & REFERENCE GUIDE



# ⚠ CAUTION ⚠

- Read the entire manual before using the Maverick.
- The Maverick is not a toy. It can cause serious injury or death.
- Wear approved eye and head protection, even when test firing.
- The compressed air source used with the Maverick can cause serious injury or death.
- Sale or use of the Maverick Illustrator is not intended for individuals under the age of 18.
- The Maverick is to be used only as described in this manual.
- Fire only 0.68 caliber paintballs from the Maverick.
- Check the velocity of your Maverick before each use. Not to exceed 300 fps.
- The Maverick can fire when dropped.
- Keep the Maverick unloaded and unpressurized when not in use.
- Install a barrel plug in the barrel when not in use.
- Barrel plugs are available from your ACI dealer.
- The Maverick can be dangerous up to 200 yards (180 meters).
- Don't shoot at opponents closer than 20 feet.
- Never shoot toward individuals not wearing approved eye and head protection.
- Never disassemble the Maverick while it is pressurized.
- Do not touch a chilled CO2 container with bare skin; frostbite can occur.
- Using the Maverick while under the influence of drugs or alcohol is disregard of public safety.
- Never shoot at the property of others.
- Learn and follow the rules of the field where you are playing.
- Always maintain control of the Maverick while it is pressurized.
- Never store the Maverick while it is pressurized.
- Two very dangerous defects require immediate attention by your dealer or qualified airsmith:
  1. The air source bottle valve unscrews from the bottle.
  2. The gun double fires (other than when you are running out of air).
- Do not modify your gun, especially your trigger assembly.

## IMPORTANT

1. Firing velocity may vary according to altitude and climate conditions.
2. Before using your paint pistol in play, you must always first perform a “SAFE VELOCITY TEST”. This can only be accomplished by using a testing device called a “Velocity Chronograph” and can be performed by the dealership where you purchased this product or at a local paintball playing field.
3. **NOTE:** This product is intended to be used at a velocity no greater than 320 feet per second (FPS). Recommended velocity is 300 FPS or less.
4. This product is not intended to be used at any distance less than 25 feet.
5. lower velocities may be attained by substituting a lighter hammer spring, (Item #34), available through your dealer or distributor.

## ▲ WARNING ▲

When removing piston from storage, or when handing to, or receiving from another person, always check to be sure the pistol is not loaded.

## OPERATING INSTRUCTIONS

### I. CO<sub>2</sub> Charging

Your paint pistol has been equipped with an air adapter for bulk CO<sub>2</sub> Screw, CO<sub>2</sub> tank or accessory into rear adapter of paint pistol as shown (See Figure 1).



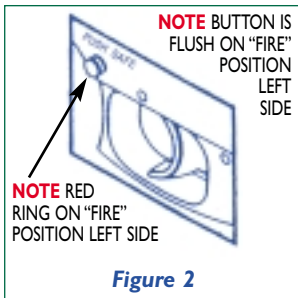
Figure 1

Use only 12 gram type CO<sub>2</sub> cartridges which are flat on the small end. Any other cartridge form or shape, such as those having threads on one end, will not function and should not be used.

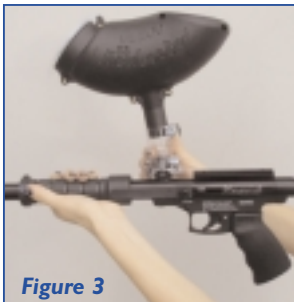
CO<sub>2</sub> guns should not be used in temperatures below 40° Fahrenheit as performance decreases significantly below this level. CO<sub>2</sub> cartridges may explode at temperatures above 160° F.

## 2. Safety

To put safety on, press “SAFE” button on left side of frame so that red ring is not exposed. Always keep safety in “SAFE” position until ready to shoot (See Figure 2).



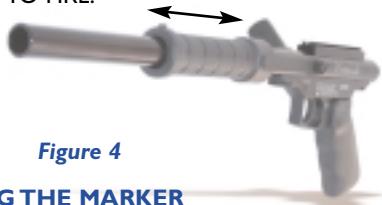
## 3. Loading



Press the one inch elbow firmly into marking pistol to assure a snug fit. (See Figure 3).

**NOTE:** Loader should be left on pistol until empty.

Hold marker as shown in Figure 4. Pull foregrip backward then forward quickly (once only). **WARNING:** MARKING PISTOL IS NOW READY TO FIRE.



## FIRING THE MARKER

Put safety in “fire” position, so red ring on safety button is exposed. Sight in the target, air and pull trigger. **CAUTION:** Never point your marker, charged or uncharged, loaded or unloaded, with safety on or off, at or near anything you do not intend to mark.

## MAINTENANCE

### 1. General Care

Your ACI marker is made of corrosion resistant materials which require no special treatment with the exception of occasional disassembly and cleaning. note: be sure marker is not loaded or charged with CO2. This may be done by unscrewing barrel counter-clockwise and

removing the two sets of knurled service screws as shown in *Figures 5 and 6*. **NOTE: DO NOT USE TOOLS, THEY ARE NOT NECESSARY.**



*Figure 5*

After barrel and field strip screws have been removed, marking pistol can then be “broken down” to its prim components for cleaning as shown in *figure 7*. **NOTE: DO NOT USE**



*Figure 6*

## TOOLS OR ATTEMPT TO DISASSEMBLE THE MARKER BEYOND THIS POINT.

*Refer all further service or repair to qualified factory personnel only.*

Before reassembling, lightly treat internal components with airlobe. Reassemble your marker following *figure 7* on the next page.

**DO NOT USE TOOLS.** Both sets of field strip screws should be finger tight only. **DO NOT FORCE.**

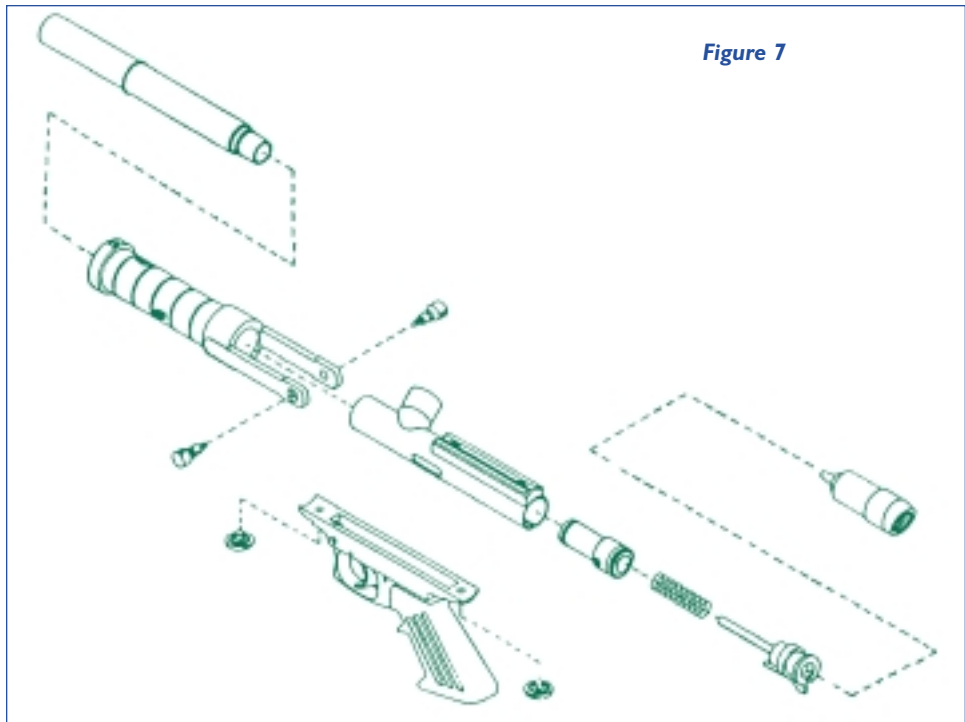
For best accuracy always keep inside of barrel clean and dry. use squeegee or swab for best results.

### RECOMMENDED AMMUNITION

Use only water soluble .68 caliber marking pellets available from most dealers and distributors. *For more information, contact ACI Sports.*

**WARNING:** Any attempted modification or service or other tampering by the owner or any other person may cause the marker to malfunction and may render it unsafe. Any repairs should be made only by qualified factory personnel. For information on use and service, please write: **ACI Sports** 701 Auto Center Drive, Ontario CA 91761 USA.

*Figure 7*



## STATEMENT OF LIABILITY

This marker is delivered by us with the express understanding that we assume no liability for its resale or safe-handling. It can be considered as a dangerous weapon if mishandled, abused, instructions are ignored, or factory adjustments tampered with. ACI Sports assumes no responsibility for physical injury or property damage resulting from its use.

We will honor no claims for damage to the marker, resulting from careless handling, unauthorized adjustments, modifications, alterations, improper installation of after market accessories, ignoring of instructions, improper ammunition, neglect, or resulting from any part or parts being altered or tampered with.

### 2. Storage

Although your ACI marker will hold its CO<sub>2</sub> charge indefinitely, for maximum safety it should always be stored uncharged, uncocked and unloaded. Store in a clean, cool, dry place and well out of the reach of children.

### 3. Service

Your ACI marker should be inspected periodically for any changes in functioning characteristics. If your pistol is ever dropped or otherwise sub-

jected to severe impact, it should be carefully inspected to ensure that its proper functioning has not been affected.

Any repairs should be performed only by qualified factory personnel. If your ACI CO<sub>2</sub> marker is in need of service, be sure marker is unloaded and CO<sub>2</sub> cartridge is not present. Package it carefully and insure for full value. Enclose a note describing desired service and send to the ACI Sports Service Department.

An estimate of repair costs will be furnished on request. **NOTE:** ACI markers do not come under the provisions of the 1986 Gun Control Act and can be shipped via UPS.

### 4. Releasing CO<sub>2</sub> Charge

When the charge in the CO<sub>2</sub> cartridge is almost exhausted, velocity and power will decrease noticeably. When this happens stop loading and shooting immediately. Completely release the remaining CO<sub>2</sub> by slowly unscrewing the CO<sub>2</sub> tank, (not all the way), allowing the gas to escape around cartridge. Hold gun upright and allow CO<sub>2</sub> tank to fall out of marker. recharge with new tank as described previously in "loading".

## Replacement Parts and Kits

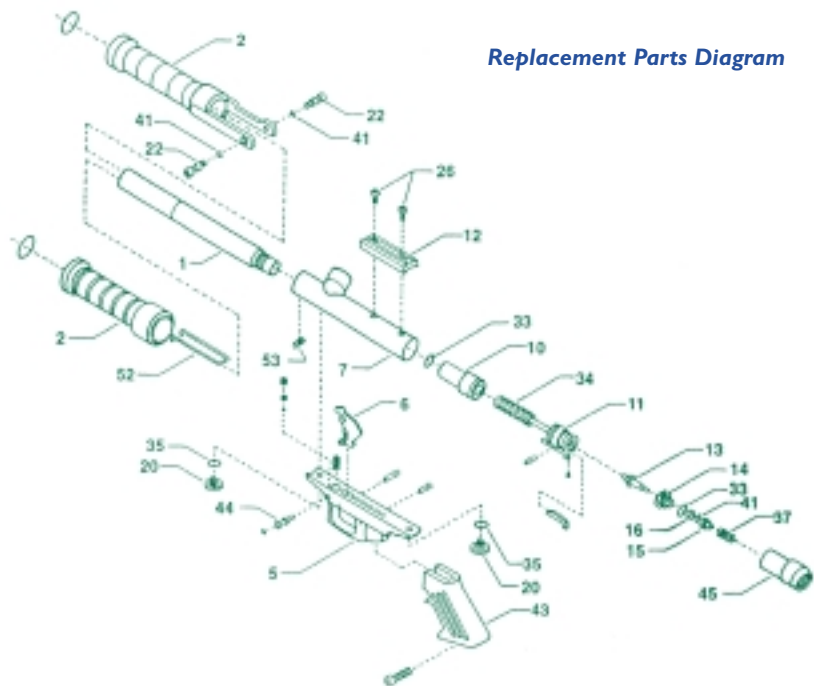
Item	Description	Part No.	Item	Description	Part No.
2	Maverick™/Trracer™ Pump Handle	13004-2		<b>BARRELS</b>	
2	Hornet™/Tagmaster™ Pump Handle	13004-2	1	Maverick™ and Trracer™ 12"	13004-1
6.1L	Trigger with Latch Insert	13004-6L-2	1	Hornet™ and Tagmaster™ 12"	13004-1
7	Receiver-Hornet™/Tagmaster™	13004-789		<b>BOLTS</b>	
7	Receiver-Maverick™/Trracer™	13004-789	10	Maverick™ and Trracer™	13004-10
10B	Inner Sleeve O-Ring	13004-10-103	10	Hornet™ and Tagmaster™	13004-10
11	Tru-Flow Hammer/Sear Assembly	13004-11-1-TF		<b>O-RINGS</b>	
12	Sight Rail	13004-12	33	Bolt/Valve Screw O-ring	13004-33
13	Tru-Flow Valve Tube	13004-13	35	Frame Screw O-ring	13004-35
14	Valve Seat	13004-14	41	Pump/Backing Nut O-ring	13004-41
15	Backing Nut	13004-15		<b>SCREWS</b>	
16	Impulse Seal	13004-16	20	Front Slotted Frame with O-ring	13004-20FS
43	Euro Grip with Screw	13004-6-999	20	Rear Slotted Frame with O-ring	13004-20RL
44	Safety Button	13004-23	22	Slotted Pump Screw	13004-22
45	ASA Adapter	13003	26	Sight Rail Screw	13004-26
52	Bolt Link	13004-52		<b>SPRINGS</b>	
	Hammer assembly for Hornet™ and Maverick™	13004-11-1	37	Valve Tube Spring	13004-37
	Valve Tube assembly	13004-13-999	53	Ball Retaining Spring	13004-57
	Trigger housing assy. (No Grip)	13004-5-999	34	Low Velocity Spring	13004-34L
			34	High Velocity Spring	13004-34H

- *Maverick™ and Trracer™ parts are interchangeable*
- *Hornet™ and Tagmaster™ parts are interchangeable*

Trracer and Tagmaster are registered trademarks of Pursuit Marketing Inc. (PMI)



## Replacement Parts Diagram



## LIMITED WARRANTY

ACI Sports Inc. warrants to the original customer purchaser that this product is free from defects in material and workmanship under normal use and service for a period of one (1) year from date of purchase. ACI agrees to repair or replace (at its option) any product within a reasonable period of time provided that it is returned with postage prepaid to ACI. If the product is defective, package it carefully and send, together with your name and address and a brief description of the malfunction, to:

ACI Sports 701 Auto Center Drive • Ontario, CA 91761 U.S.A.

This warranty shall not apply if it is shown by ACI that the defect or malfunction was caused by damage which occurred while the product was in the possession of a consumer. ACI Sports sole responsibility shall be to repair or replace the product within the terms stated above.

THE IMPLIED WARRANTIES OF MERCHANTABILITY AND FITNESS FOR A PARTICULAR PURPOSE ARE LIMITED TO A PERIOD OF NINETY (90) DAYS FROM PURCHASE DATE. ACI SHALL NOT BE LIABLE FOR ANY LOSS OR DAMAGE OF ANY KIND, INCLUDING ANY INCIDENTAL OR CONSEQUENTIAL DAMAGES RESULTING, DIRECTLY OR INDIRECTLY, FROM ANY BREACH OF ANY WARRANTY, EXPRESS OR IMPLIED, OR ANY OTHER FAILURE OF THIS PRODUCT.

Some states do not allow limitations on how long an implied warranty lasts so the above limitation may not apply to you. Some states do not allow the exclusion of consequential damages, so this limitation may not apply to you. This warranty gives you specific legal rights, and you may have other rights which vary from state to state.